

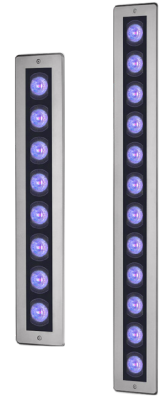
# PARADE L MC RECESSED

## RGBW



### DESCRIPTION

PARADE L MC recessed linear luminaires are available in two or three foot lengths. Each model features premium quality high-brightness multi-chip LEDs and a comprehensive selection of six light distributions. Standard built-in programming capabilities include standalone or master-satellite configurations without the use of external control systems, or operation by remote DMX512 control systems. Recessed housing, trim, and hardware are stainless steel.



Date: \_\_\_\_\_ Type: \_\_\_\_\_ Catalog Number: \_\_\_\_\_

Project Name: \_\_\_\_\_

### ORDERING INFORMATION

LUMINAIRE					
MODEL	CCT	CONTROL †	CABLE	VOLTAGE	OPTIC
<b>PDL2MCR</b> Parade L2 MC Recessed- 2' Length	<b>RGBW30K</b> RGBW (3000K White)	<b>DMX-RDM</b> DMX-RDM	<b>M</b> Monocable Without Connectors (19.7")	<b>UNV</b> 120-277v	<b>SP</b> Spot 9°
<b>PDL3MCR</b> Parade L3 MC Recessed- 3' Length	<b>RGBW40K</b> RGBW (4000K White)		<b>C</b> Monocable With Connectors (19.7")		<b>NB</b> Narrow 14°
<b>PDL2MCRPE</b> Parade L2 MC Recessed Polar Edition- 2' Length					<b>MB</b> Medium 25°
<b>PDL3MCRPE</b> Parade L3 MC Recessed Polar Edition- 3' Length					<b>WB</b> Wide 37°
					<b>ELH</b> Elliptical 50° x 9°
					<b>ELWH</b> Elliptical Wide 60° x 33°

† Consult factory for availability of per-foot resolution.

\* Consult factory for availability of additional optical options.

MOUNTING FRAME (Required, Ordered Separately)		ACCESSORIES	
<b>PDL2R-RMF</b>	Parade L2 Recessed Mounting Frame	<b>IR-CONFIG-REMOTE***</b>	Infrared Configuration Remote
<b>PDL3R-RMF</b>	Parade L3 Recessed Mounting Frame		

\*\*\* Unless an RDM compatible control is used, one Infrared Configuration Remote must always be purchased for one or more DMX/RDM luminaires in order to access DMX addressing.

See Page 7 for ordering information of additional available accessories.

# PARADE L MC RECESSED

RGBW



		PARADE L2 MC RECESSED	PARADE L3 MC RECESSED
PHYSICAL	HOUSING	Extruded Aluminum	
	HOUSING SIZE	26.8" L x 5.3" W x 4.6" H	38.8" L x 5.6" W x 4.6" H
	WEIGHT	15.2 Pounds	20.3 Pounds
	OPERATING TEMPERATURE	-40°F to 122°F	

ELECTRICAL	POWER CONSUMPTION	37 Watts	55 Watts
	AMPERAGE	0.31A @ 120V 0.13A @ 277V	0.46A @ 120V 0.20A @ 277V
	EFFICACY	Up to 49 Lumens Per Watt	
	CONTROL PROTOCOLS *	DMX/RDM   Self-Addressing   Standalone   Master-Satellite   DMX/RDM Addressable per foot (Contact Factory) * See separate DMX Mode Application Sheet	
	CABLE LENGTH	19.7"	

PHOTOMETRIC	LED	RGBW (3000K or 4000K White) Multi-Chip	
	NUMBER OF LEDS	8	12
	L70 LUMEN MAINTENANCE	> 50,000 Hours	
	# DISTRIBUTIONS	Six	
	LIGHT CONTROL ACCESSORIES	None	

LIGHT DISTRIBUTIONS*	DISTRIBUTION	BEAM ANGLE	RGBW 3000K			RGBW 4000K		
			LUMENS	EFFICACY	MAX. CAN-DELA	LUMENS	EFFICACY	MAX. CAN-DELA
			PARADE L2 MC RECESSED					
	SPOT	9°	1595	43	30083	1814	49	34206
	NARROW	14°	1486	40	17428	1689	46	19803
	MEDIUM	25°	1450	39	6241	1648	45	7092
	WIDE	37°	1103	30	1455	1254	34	1654
	ELLIPTICAL	50° x 9°	1488	40	8818	1645	44	9749
	ELLIPTICAL WIDE	60° x 33°	1421	38	2206	1615	44	2507
PARADE L3 MC RECESSED								
	SPOT	9°	2372	43	44731	2695	49	50823
	NARROW	14°	2209	40	25907	2510	46	29437
	MEDIUM	25°	2156	39	9279	2450	45	10545
	WIDE	37°	1640	30	2164	1864	34	2459
	ELLIPTICAL	50° x 9°	2152	39	12753	2445	44	14490
	ELLIPTICAL WIDE	60° x 33°	2112	38	3279	2401	44	3728

\* Values based on full RGBW output.

CERTIFICATIONS	SAFETY	ETL Listed for Wet Locations
	INGRESS PROTECTION	IP67
	IMPACT RATING	IK10
	WARRANTY	Five Year Limited Warranty

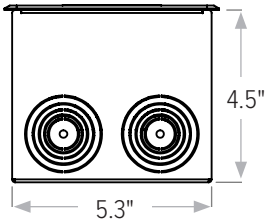
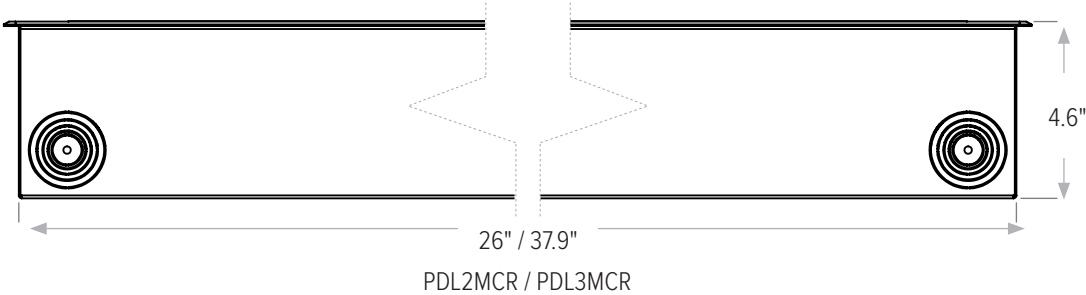
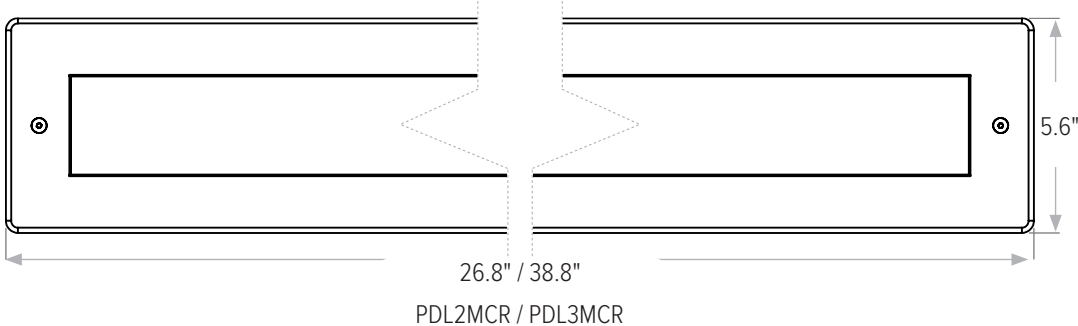
# PARADE L MC RECESSED

RGBW



## DIMENSIONS

All dimensions are shown in inches unless otherwise noted.

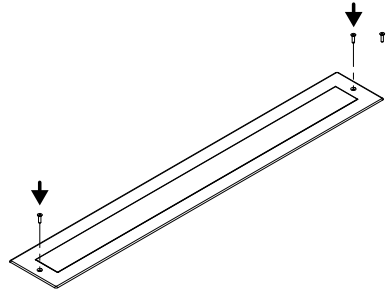
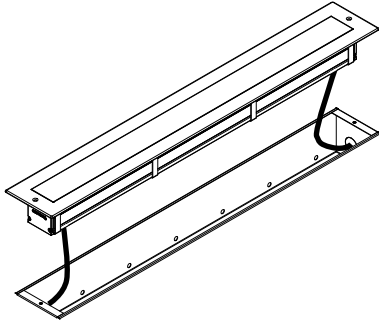
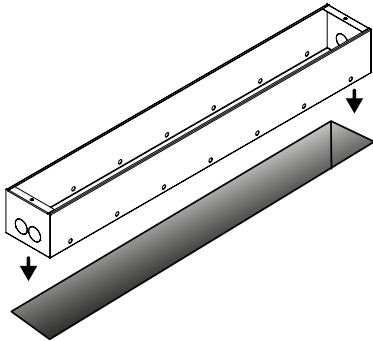
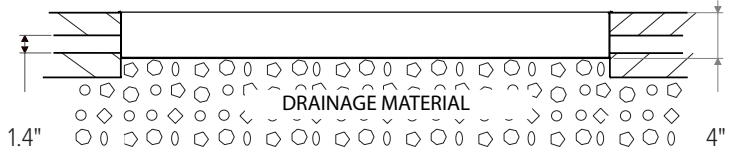
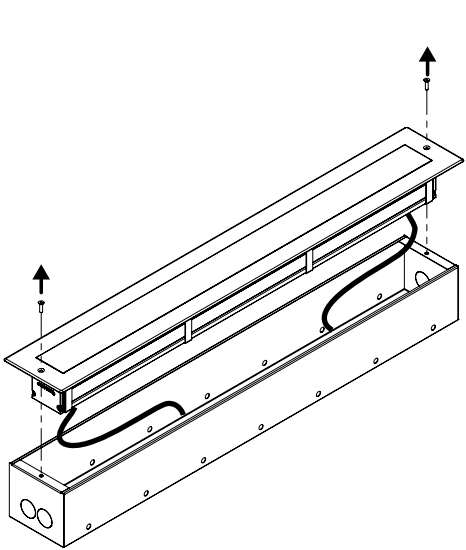


# PARADE L MC RECESSED

RGBW



## MOUNTING



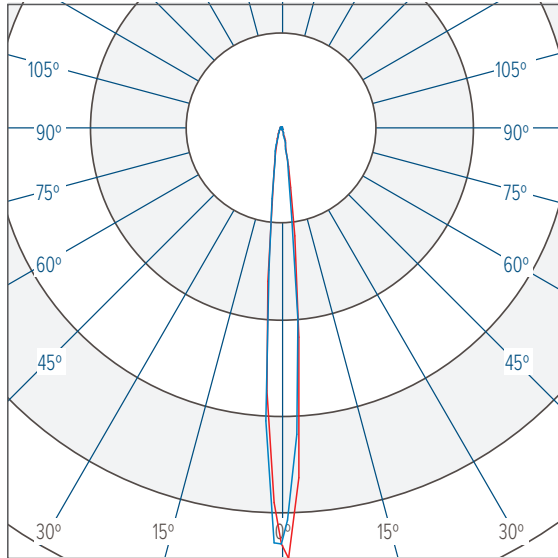
## PHOTOMETRICS

Note: Values shown are for Parade L3 MC Recessed in RGBW 4000K. See Prorate Table on page 6 to determine photometric and lumen values of other formats.

### SPOT 9°

CBCP 50830 @ 2695 lumens

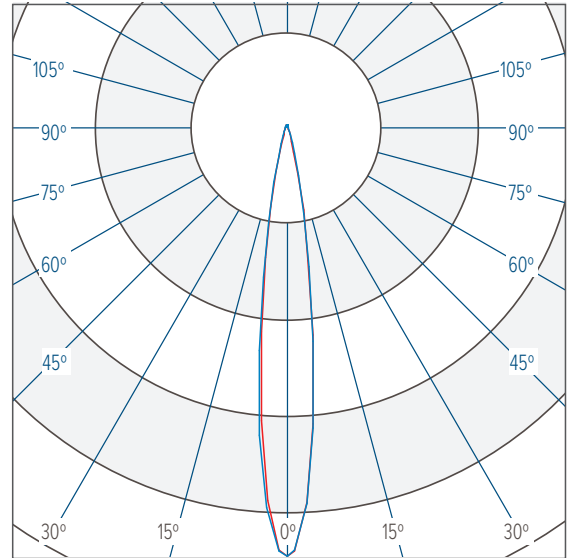
Horizontal  
Vertical



### NARROW 14°

CBCP 29437 @ 2510 lumens

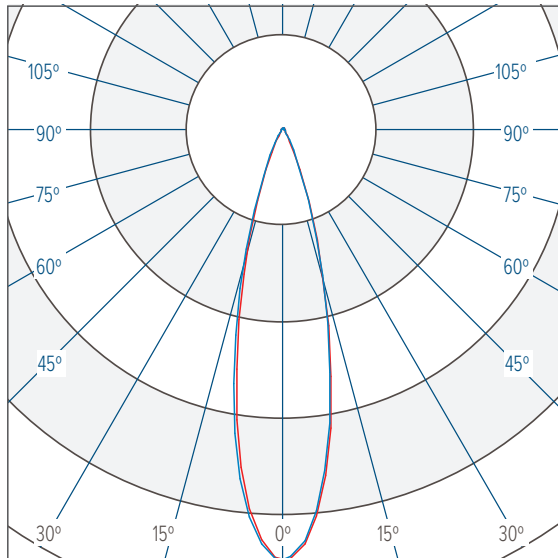
Horizontal  
Vertical



### MEDIUM 25°

CBCP 10545 @ 2450 lumens

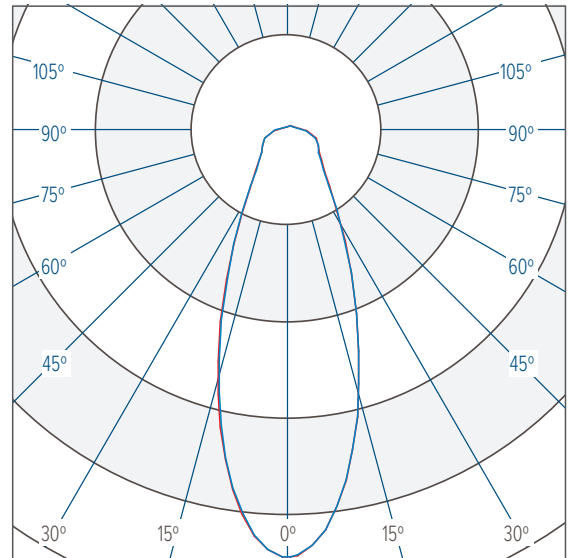
Horizontal  
Vertical



### WIDE 37°

CBCP 2459 @ 1864 lumens

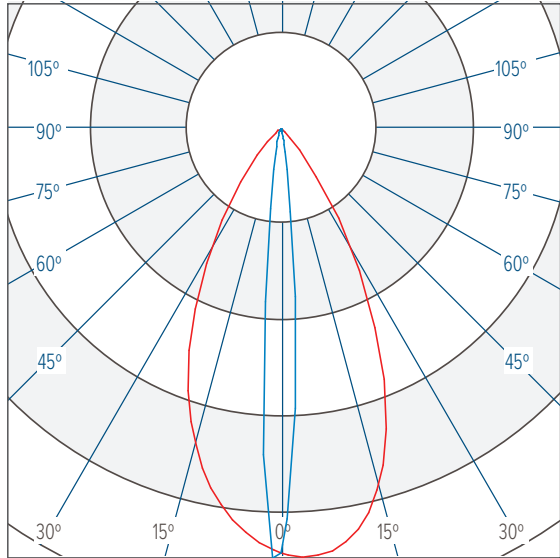
Horizontal  
Vertical



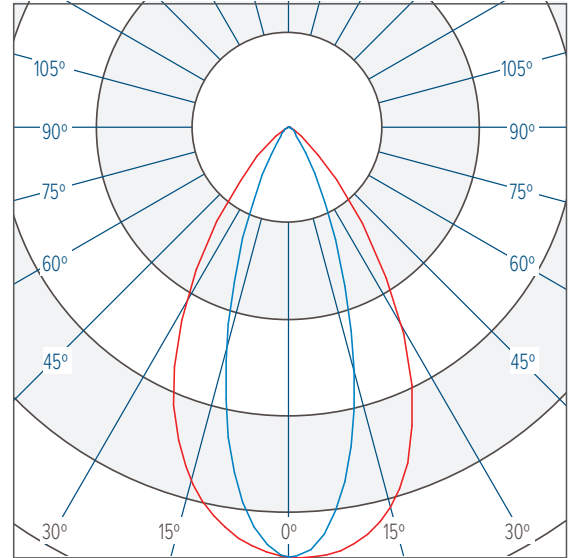
## PHOTOMETRICS

Note: Values shown are for Parade L3 MC Recessed in RGBW 4000K. See Prorate Table on page 6 to determine photometric and lumen values of other formats.

**ELLIPTICAL 50° x 9°**  
CBCP 14490 @ 2445 lumens



**ELLIPTICAL WIDE 60° x 33°**  
CBCP 3728 @ 2401 lumens



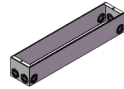
PHOTOMETRIC PRORATE FACTORS		
	RGBW 3000K	RGBW 4000K
Parade L2 MC Recessed	0.59	0.67
Parade L3 MC Recessed	0.88	1.0

## ACCESSORIES

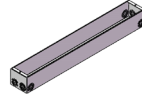
NOTE: Accessories are ordered and shipped separately from luminaire for field installation.



**IR-CONFIG-REMOTE<sup>†</sup>**  
Infrared Configuration Remote



**PDL2R-RMF<sup>†</sup>**  
Recessed Mounting Frame  
for Parade L2 MC Recessed



**PDL3R-RMF<sup>†</sup>**  
Recessed Mounting Frame  
for Parade L3 MC Recessed



**GRIVEN-LEC**  
Line End Cap



**GRIVEN-DMXTRMNTX**  
DMX Terminator



**GRIVEN-STRTLNBX-C**  
Start Line Box with Connectors



**GRIVEN-STRTLNBX-NC**  
Start Line Box without Connectors



**GRIVEN-RPWRBX-C**  
Repower Box with Connectors



**GRIVEN-RPWRBX-NC**  
Repower Box without Connectors



**GRIVEN-DMXJB-C**  
DMX Junction Box with Connectors



**GRIVEN-DMXJB-NC**  
DMX Junction Box without  
Connectors



**GRIVEN-CBL-1M**  
Connection Cable- 1 Meter (3' 3'')



**GRIVEN-CBL-2M**  
Connection Cable- 2 Meters (6' 6'')



**GRIVEN-CBL-3M**  
Connection Cable- 3 Meters (9' 10'')



**GRIVEN-CBL-5M**  
Connection Cable- 5 Meters (16' 4'')



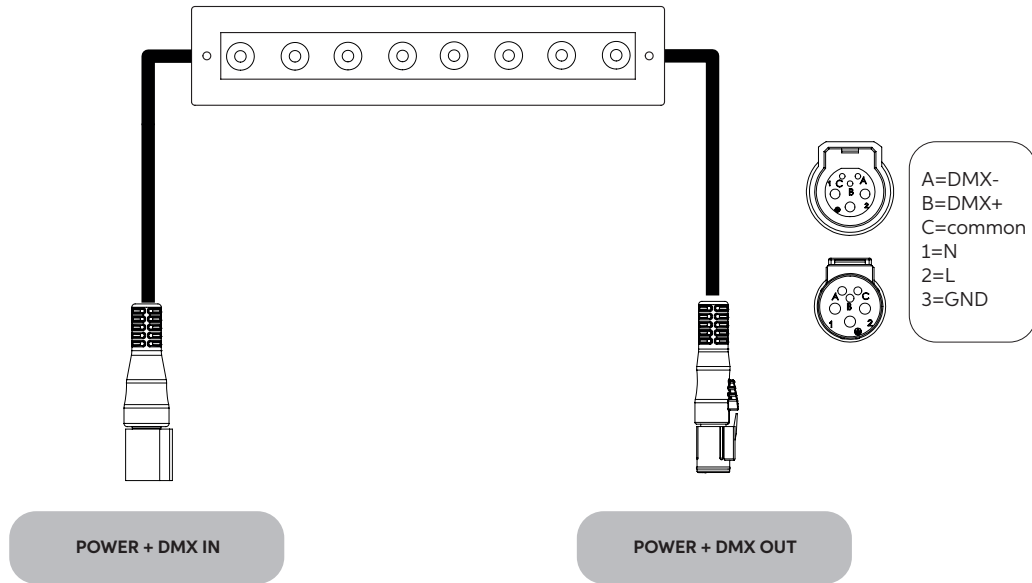
**GRIVEN-CBL-10M**  
Connection Cable- 10 Meters  
(32' 10'')

<sup>†</sup>Unless an RDM compatible control is used, one Infrared Configuration Remote must always be purchased for one or more DMX/RDM luminaires in order to access DMX addressing.

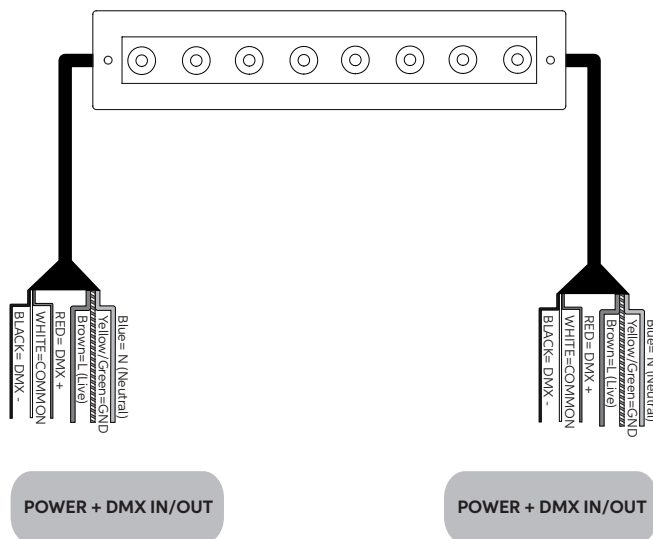
Mounting Frame must be purchased separately for mounting applications.

CONNECTIONS

"C" Type Cable (Monocable With Connectors)



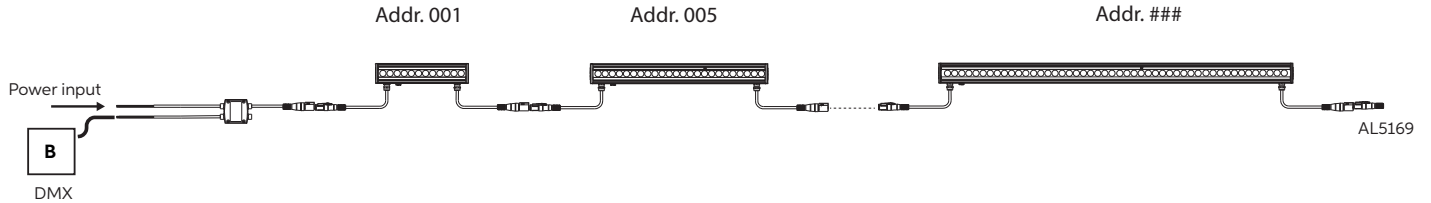
"M" Type Cable (Monocable Without Connectors)





## OPERATING MODES

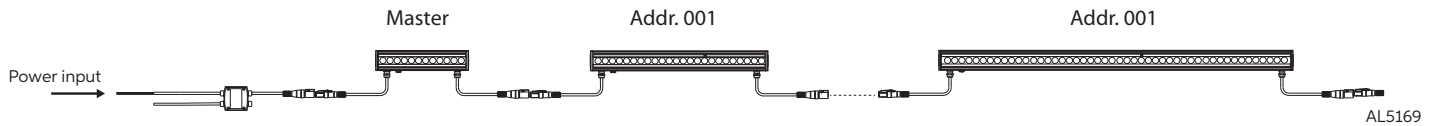
### DMX Mode



Example with fixtures set at 4 DMX channels

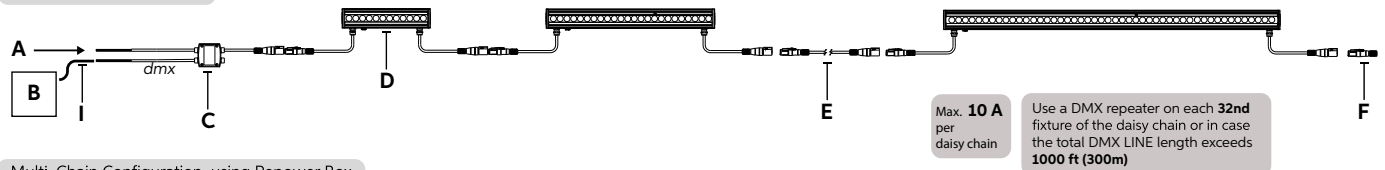
### Master-Satellite/Automatic/Fixed Color Mode

( Only DMX Mode #1 )

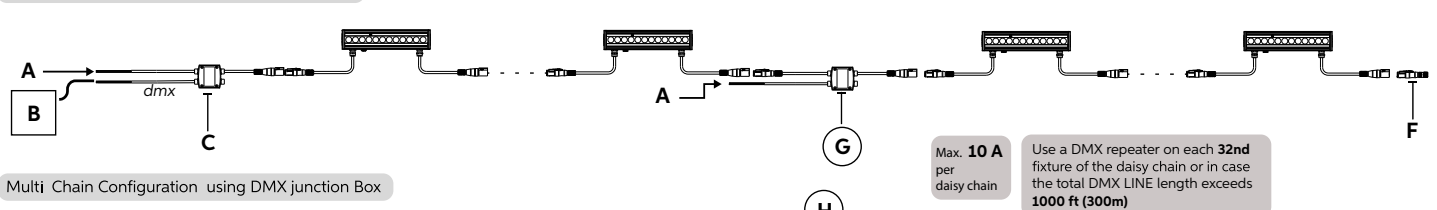


## CONFIGURATION

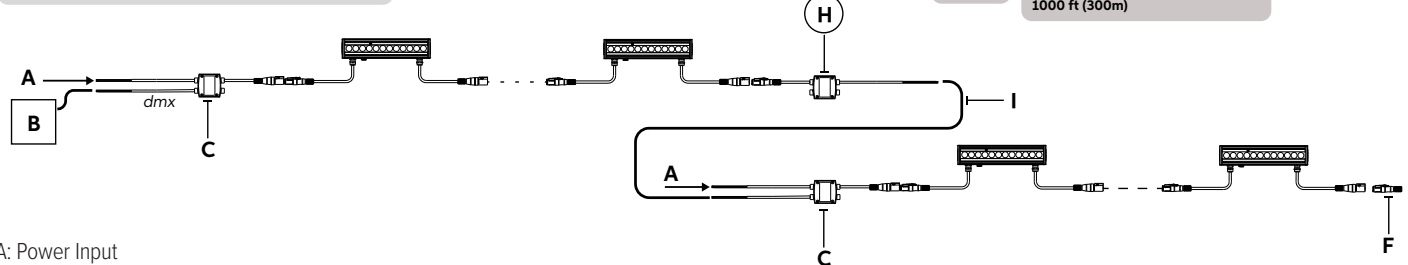
### Single Chain Configuration



### Multi Chain Configuration using Repower Box



### Multi Chain Configuration using DMX junction Box



- A: Power Input
- B: DMX/RDM Controller
- C: Start Line Box- *PDLMC-STRTLNBX-C / PDLMC-STRTLNBX-NC*
- D: Parade L1, L2, L3, L4 MC or L2 MC or L3 MC Recessed
- E: Connection Cable- *PDLMC-CBL-1M, PDLMC-CBL-2M, PDLMC-CBL-3M, PDLMC-CBL-5M, PDLMC-CBL-10M*
- F: DMX Terminator- *PDLMC-DMXTRMNT*
- G: Repower Box- *PDLMC-RPWRBX-C / PDLMC-RPWRBX-NC*
- H: DMX Junction Box- *PDLMC-DMXJB-C / PDLMC-DMXJB-NC*
- I: DMX Cable

CE Colours	USE
Brown	Live
Blue	Neutral
Yellow/Green	Ground
Red	DMX Data +
Black	DMX Data -
White	DMX GND